



DOVEDALE MK2 EASY ACCESS SHOWER (ABOVE FLOOR WASTE)

HOW TO ORDER

- 1 CHOOSE SHOWER TRAY WASTE OUTLET POSITION (A OR D)**
- 2 CHOOSE A COMBINED TRAY/DOOR KIT OPTION  (this is a complete kit)**
- 3 ADDITIONAL OPTION**
 -  Shower waste pump kit (choose this option if a pump is required) - see p48-49

Door and enclosure kit contents:

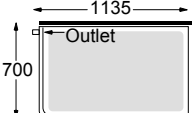

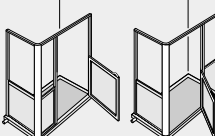

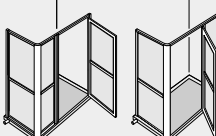
- Door and enclosure kit contents:
- Half height fixed panel (820mm height)
 - Door set
 - Full height assistance pole
 - Curtain Track and Hooks to suit door option
 - White Shower Curtain
 - Grab Pole to L-shaped Curtain Rail (Grab Pole to Ceiling available as an option - additional £15. Please confirm height requirement)
 - Fitting instructions

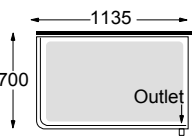

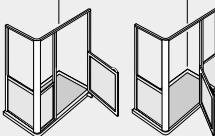
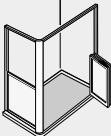
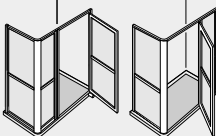
Shower tray contents:

- White shower tray
- Fitting instructions
- See p143 for Shower units (optional extra)

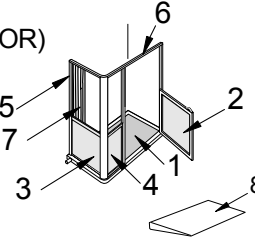
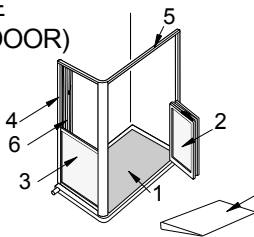
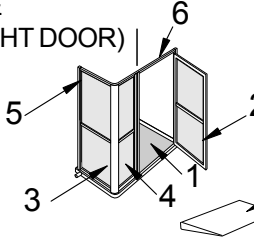
IMPORTANT NOTE: Trays and door kits on this page are supplied under one code as a complete kit.

WASTE POSITIONS A&D To order tick the relevant circle and fax back.

1 SHOWER TRAY SIZE		2 SHOWER TRAY/ SINGLE DOOR KIT	SHOWER TRAY/ TRIFOLD DOOR KIT	SHOWER TRAY/ FULL HEIGHT DOOR	SHOWER TRAY/ IMPRESSIONS DOOR KIT
WASTE POSITION A 	Order as a complete tray & door kit using part no's shown right. Waste detail shown on p41 	<input type="radio"/> IDDDAHH 	<input type="radio"/> IDDDATL 	<input type="radio"/> IDDDAFH 	<input type="radio"/> SEE PAGES 84-87 for the polished chrome (or white) & glass Impressions Collection range

1 SHOWER TRAY SIZE		2 SHOWER TRAY/ SINGLE DOOR KIT	SHOWER TRAY/ TRIFOLD DOOR KIT	SHOWER TRAY/ FULL HEIGHT DOOR	SHOWER TRAY/ IMPRESSIONS DOOR KIT
WASTE POSITION D tray & door kit 	Order as a complete tray & door kit using part no's shown right. Waste detail shown on p41 	<input type="radio"/> IDDDH HH 	<input type="radio"/> IDDDT L 	<input type="radio"/> IDDDF H 	<input type="radio"/> SEE PAGES 84-87 for the polished chrome (or white) & glass Impressions Collection range

PARTS

DOVEDALE (SINGLE DOOR) OUTLETS A & D			DOVEDALE (TRIFOLD DOOR) OUTLETS A & D			DOVEDALE (FULL HEIGHT DOOR) OUTLETS A & D		
 <p>Note: Outlet position A Illustrated</p>			 <p>Note: Outlet position A Illustrated</p>			 <p>Note: Outlet position A Illustrated</p>		
DESCRIPTION	PART NUMBER		DESCRIPTION	PART NUMBER		DESCRIPTION	PART NUMBER	
<input type="radio"/> IDIDD10	1. Tray option A		<input type="radio"/> IDIDD10	1. Tray option A		<input type="radio"/> IDIDD10	1. Tray option A	
<input type="radio"/> IDIDD18	1. Tray option D		<input type="radio"/> IDIDD18	1. Tray option D		<input type="radio"/> IDIDD18	1. Tray option D	
<input type="radio"/> IDADD02W	2. Door		<input type="radio"/> IDADTD02W	2. Door		<input type="radio"/> IDADFD02W	2. Door	
<input type="radio"/> IDADSP01W	3. Side Jamb		<input type="radio"/> IDADSP01W	3. Side Jamb		<input type="radio"/> IDADFSP01W	3. Side Jamb	
<input type="radio"/> IDADSP02W	4. Front Jamb		<input type="radio"/> IDADP02W	4. Frame set		<input type="radio"/> IDADFSP02W	4. Front Jamb	
<input type="radio"/> IDADP01W	5. Frame set		<input type="radio"/> IDGRL4224W	5. Curtain rail		<input type="radio"/> IDADFP01W	5. Frame set	
<input type="radio"/> IDGRL4224W	6. Curtain rail		<input type="radio"/> IDGSS22	6. Curtain		<input type="radio"/> IDGRL4224W	6. Curtain rail	
<input type="radio"/> IDGSS22	7. Curtain		<input type="radio"/> IDIDD14	8. Ramp		<input type="radio"/> IDIDD14	8. Ramp	
<input type="radio"/> IDIDD14	8. Ramp							

Note: Spare parts for Impressions Collection Door Kits/Special Door Kits - Please refer to Technical Helpdesk on 01869 365500

SYMBOLS:

Bulk/oversized item 

Made to order (see P200) 

Tel: 0800 917 0399

www.chilterninvadex.co.uk

Fax: +44 (0) 1869 365588

sales@chilterninvadex.co.uk

DOVEDALE MK2 EASY ACCESS SHOWER (ABOVE FLOOR WASTE)

HOW TO ORDER

- 1 CHOOSE SHOWER TRAY WASTE OUTLET POSITION (B OR C)
- 2 CHOOSE A COMBINED TRAY/DOOR KIT OPTION **G2** (this is a complete kit)
- 3 ADDITIONAL OPTION
 - P2** Shower waste pump kit (choose this option if a pump is required) - see p48-49

Door and enclosure kit contents:

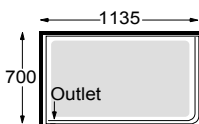
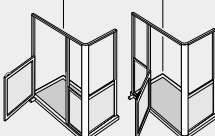
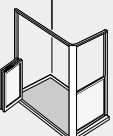
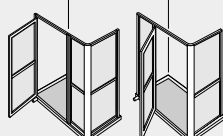
- Door and enclosure kit contents:
- Half height fixed panel (820mm height)
 - Door set
 - Full height assistance pole
 - Curtain Track and Hooks to suit door option
 - White Shower Curtain
 - Grab Pole to L-shaped Curtain Rail (Grab Pole to Ceiling available as an option - additional £15. Please confirm height requirement)
 - Fitting instructions

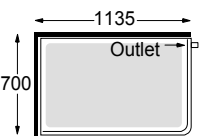
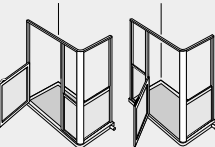
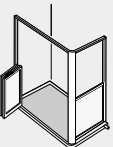
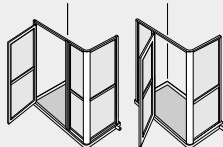
Shower tray contents:

- White shower tray
- Fitting instructions
- See p143 for Shower units (optional extra)

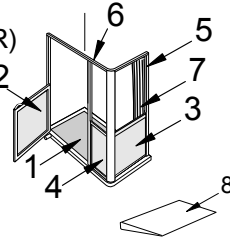
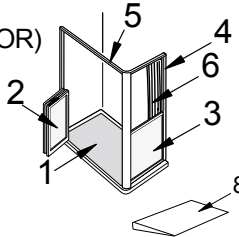
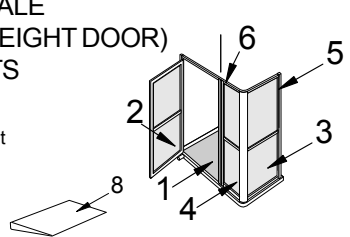
IMPORTANT NOTE: Trays and door kits on this page are supplied under one code as a complete kit.

WASTE POSITIONS B&C To order tick the relevant circle and fax back.



1 SHOWER TRAY SIZE		2 SHOWER TRAY/ SINGLE DOOR KIT	SHOWER TRAY/ TRIFOLD DOOR KIT	SHOWER TRAY/ FULL HEIGHT DOOR	SHOWER TRAY/ IMPRESSIONS DOOR KIT
WASTE POSITION B 	Order as a complete tray & door kit using part no's shown right. Waste detail shown on p41 G2	<input type="radio"/> IDDDBHH 	<input type="radio"/> IDDDBTL 	<input type="radio"/> IDDDBFH 	<input type="radio"/> SEE PAGES 84-87 for the polished chrome (or white) & glass Impressions Collection range

1 SHOWER TRAY SIZE		2 SHOWER TRAY/ SINGLE DOOR KIT	SHOWER TRAY/ TRIFOLD DOOR KIT	SHOWER TRAY/ FULL HEIGHT DOOR	SHOWER TRAY/ IMPRESSIONS DOOR KIT
WASTE POSITION C 	Order as a complete tray & door kit using part no's shown right. Waste detail shown on p41 G2	<input type="radio"/> IDDDCHH 	<input type="radio"/> IDDDCTL 	<input type="radio"/> IDDDCFH 	<input type="radio"/> SEE PAGES 84-87 for the polished chrome (or white) & glass Impressions Collection range

PARTS

DOVEDALE (SINGLE DOOR) OUTLETS B & C			DOVEDALE (TRIFOLD DOOR) OUTLETS B & C			DOVEDALE (FULL HEIGHT DOOR) OUTLETS B & C		
Note: Outlet position B Illustrated 			Note: Outlet position B Illustrated 			Note: Outlet position B Illustrated 		
DESCRIPTION	PART NUMBER		DESCRIPTION	PART NUMBER		DESCRIPTION	PART NUMBER	
<input type="radio"/> IDIDD16	1. Tray option B		<input type="radio"/> IDIDD16	1. Tray option A		<input type="radio"/> IDIDD16	1. Tray option B	
<input type="radio"/> IDIDD12	1. Tray option C		<input type="radio"/> IDIDD12	1. Tray option D		<input type="radio"/> IDIDD12	1. Tray option C	
<input type="radio"/> IDADD01W	2. Door		<input type="radio"/> IDADTD01W	2. Door		<input type="radio"/> IDADFD01W	2. Door	
<input type="radio"/> IDADSP01W	3. Side Jamb		<input type="radio"/> IDADSP01W	3. Side Jamb		<input type="radio"/> IDADFSP01W	3. Side Jamb	
<input type="radio"/> IDADSP02W	4. Front Jamb		<input type="radio"/> IDADP02W	4. Frame set		<input type="radio"/> IDADFSP02W	4. Front Jamb	
<input type="radio"/> IDADP01W	5. Frame set		<input type="radio"/> IDGRL4224W	5. Curtain rail		<input type="radio"/> IDADFP01W	5. Frame set	
<input type="radio"/> IDGRL4224W	6. Curtain rail		<input type="radio"/> IDGSS22	6. Curtain		<input type="radio"/> IDGRL4224W	6. Curtain rail	
<input type="radio"/> IDGSS22	7. Curtain		<input type="radio"/> IDIDD14	8. Ramp		<input type="radio"/> IDIDD14	8. Ramp	
<input type="radio"/> IDIDD14	8. Ramp							

Note: Spare parts for Impressions Collection Door Kits/Special Door Kits - Please refer to Technical Helpdesk on 01869 365500

SYMBOLS:
 Bulk/oversized item 
 Made to order (see P200) 

Tel: 0800 917 0399

www.chilterninvadex.co.uk

Fax: +44 (0) 1869 365588

sales@chilterninvadex.co.uk